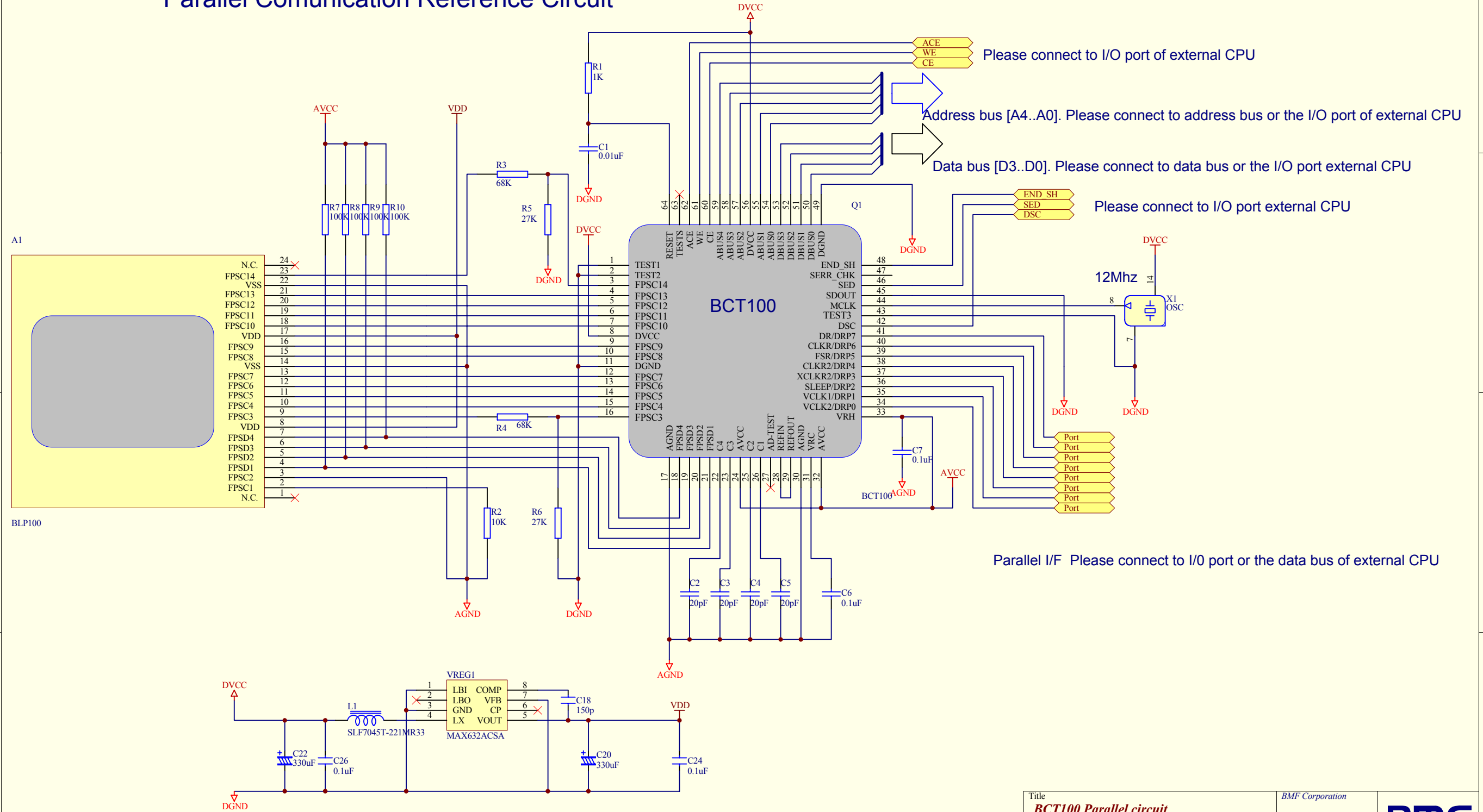


Parallel Communication Reference Circuit



Title BCT100 Parallel circuit		BMF Corporation 11-2 Minamikurokawa Asouku, Kawasaki Kanagawa Japan		BMF
Size: B	Number:	Revision: 1.0.0.2	File:	
		Date: 20-Jun-2002 Time:	Sheet 1 of 1	