

BCT-100 BMF Digital Fingerprint Sensor Controller

DATA SHEET

February, 2003

Features

- Controller IC for BMF D.F.S. BLP-100
- Serial I/F (designed for TI DSP C54x or CPU with clocked serial function)
- 8bit Parallel I/F
- 8bit ADC
- Control Register
- Human body inspection (option)
- ID code Certification
- Output sampling data:
8 bit grayscale bitmap data
- VCC = 3.3V
- System clock: 12MHz
- Package: 64pin SQFP (10mm × 10mm)
- Easy to use with BMF fingerprint sensor

Product Description

Simply write the execution commands from application CPU or DSP to BCT-100, fingerprint scan starts automatically. Choose between serial and parallel transfer for the output of fingerprint data.

Applications

Applications using BMF fingerprint sensor.

- M-commerce
- Cellular phone
- PDA
- IT-security (keyboard, mouse...etc)
- Access control
- Automotive
- Stamp verification
- Signature verification ...etc

Electrical Characteristics

Absolute maximum rating

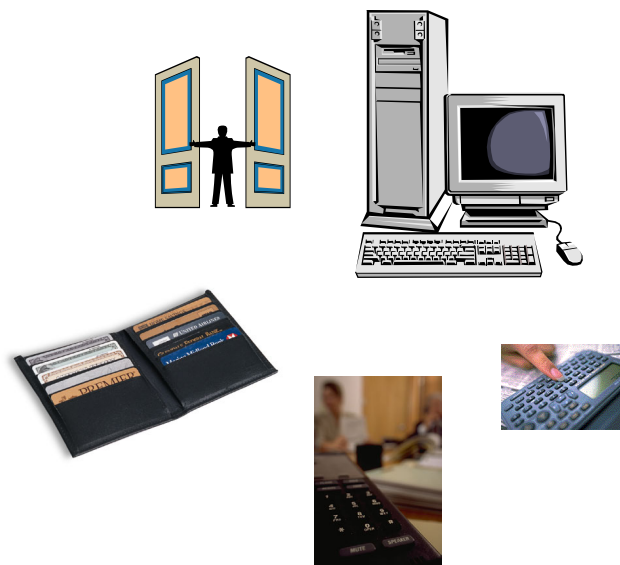
VSS=0V

Parameter	Symbol	Rating	Unit
Power source voltage	VCC	-0.3 ~ +4.6	V
Input Output voltage	VI, VO	-0.3 ~ VCC+0.3	V
Operating temperature range	Topg	-30 ~ +70	°C
Storage temperature range	Tstg	-55 ~ +125	°C

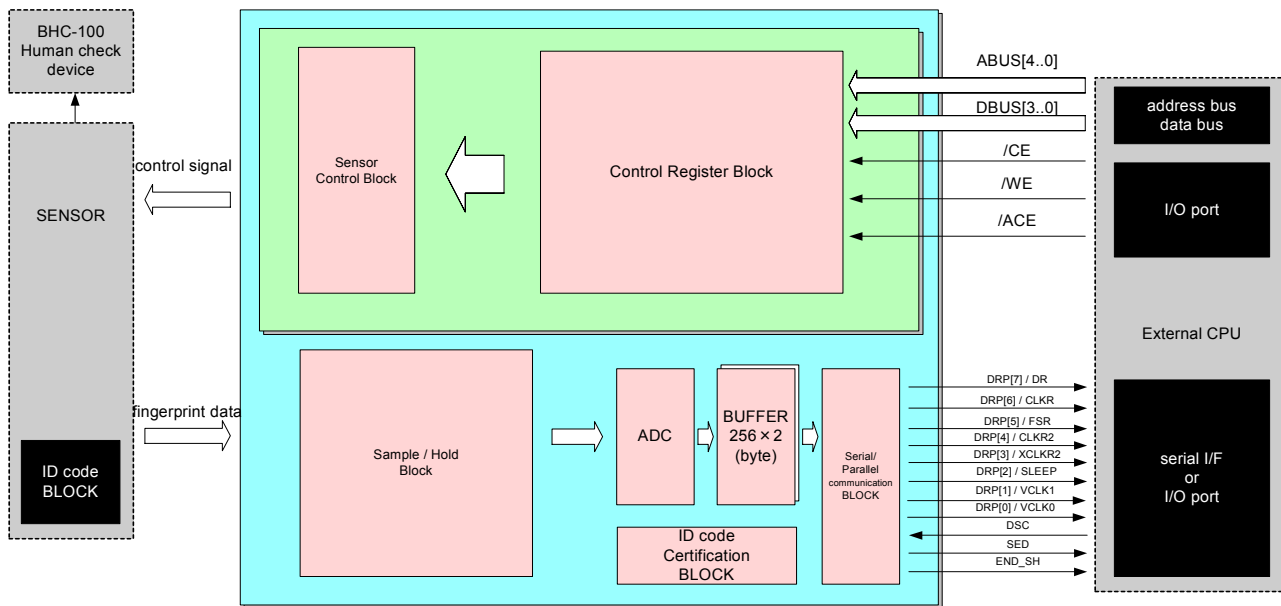
Electrical characteristics

VSS=0V

Parameter	Symbol	Min	Typ	Max	Unit
Power source voltage	VCC	3.0	3.3	3.6	V
Low level input	VIL	-	-	0.2VCC	V
Hi level input	VIH	0.7VCC	-	-	V
Low level output	VOL	-	-	0.4	V
Hi level output	VOH	VCC-0.8	-	-	V
Operational frequency	MCLK	-	12M	-	Hz



System Block Diagram



*BCT-100 operates normally without connecting BHC-100

External Dimensions (Units: mm) - Package: 64pin SQFP (10 × 10)

