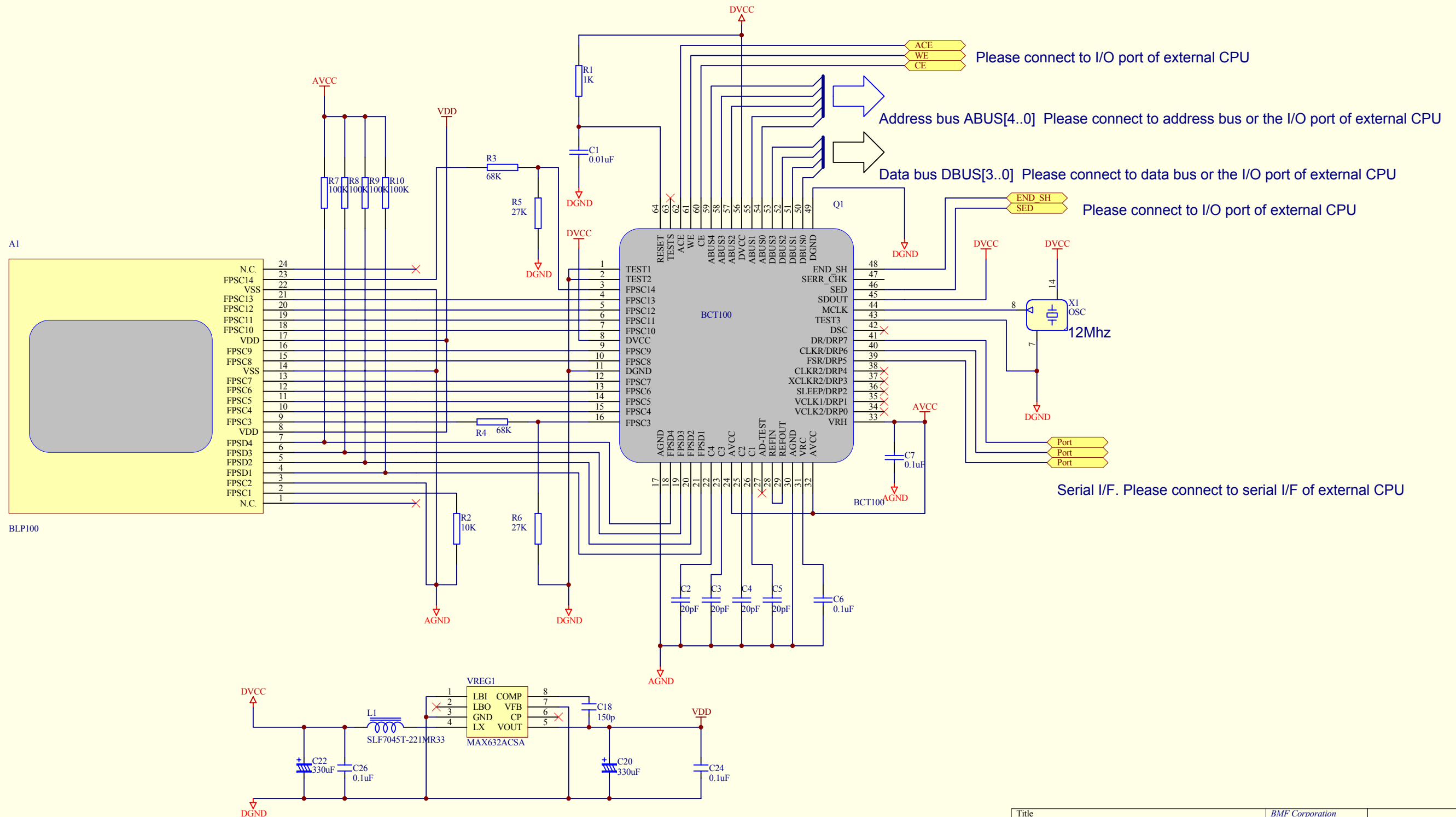


3 wire Serial Communication Reference Circuit



Title BCT100 3-wire Serial Port		BMF Corporation 11-2 Minamikurokawa Asouku, Kawasaki Kanagawa Japan		BMF
Size: B	Number:	Revision: 1.0.0.2	Date: 20-Jun-2002 Time:	
File:			Sheet 1 of 1	